

# HP UPS T1000/1500 User Guide



April 2006 (First Edition)  
Part Number 404317-001a



© Copyright 2006 Hewlett-Packard Development Company, L.P.

The information contained herein is subject to change without notice. The only warranties for HP products and services are set forth in the express warranty statements accompanying such products and services. Nothing herein should be construed as constituting an additional warranty. HP shall not be liable for technical or editorial errors or omissions contained herein.

April 2006 (First Edition)

Part Number 404317-001a

### Audience assumptions

This guide is for the person who operates, configures, maintains, and troubleshoots UPSs. HP assumes you are qualified in the servicing of high-voltage equipment and trained in recognizing hazards in products with hazardous energy levels.

---

# Contents

<b>Component identification</b> .....	<b>6</b>
UPS front panel .....	6
UPS front panel controls and LED indicators .....	7
UPS T1000 NA/JPN/TWN rear panel .....	8
UPS T1500 NA/JPN/TWN rear panel .....	9
UPS T1000 INTL rear panel .....	10
UPS T1500 INTL rear panel .....	11
<b>Installation</b> .....	<b>12</b>
Precautions .....	12
Electrical requirements .....	12
Checking the battery recharge date .....	13
Connecting the batteries .....	13
Selecting the UPS voltage configuration .....	14
Connecting the host computer .....	15
Connecting the serial communications port .....	15
Connecting the USB communications port .....	16
Connecting the Network Transient Protectors .....	16
Connecting the UPS to utility power .....	17
Connecting devices to the UPS .....	17
Charging the UPS batteries .....	17
Powering up the UPS .....	18
<b>UPS operations</b> .....	<b>19</b>
Initiating a self-test .....	19
Silencing an audible alarm .....	19
Audible alarm conditions .....	19
Powering down the UPS .....	19
<b>Power management</b> .....	<b>21</b>
HP Power Manager features .....	21
<b>Maintenance</b> .....	<b>22</b>
Updating the UPS firmware .....	22
Replacing the batteries .....	22
Important battery safety information .....	22
Battery care and storage guidelines .....	22
UPS battery replacement procedure .....	23
Cleaning battery spills .....	26
<b>Troubleshooting</b> .....	<b>28</b>
UPS does not start .....	28
Audible alarm sounds .....	28
UPS operates on battery only .....	28
UPS frequently switches between utility and battery power .....	29
UPS does not provide the expected backup time .....	29
UPS emits a slight clicking noise .....	29
Power LED flashes .....	29
Voltage Configuration LED is green .....	29
Output Load Level LED is red or flashing red .....	30
Battery Charge LED is red .....	30
Battery Warning LED is amber .....	30

Site Wiring Fault LED is red .....	30
<b>Specifications .....</b>	<b>31</b>
T1000 physical specifications .....	31
T1500 physical specifications .....	31
UPS input specifications .....	31
T1000 output specifications .....	32
T1500 output specifications .....	32
T1000 power protection specifications .....	32
T1500 power protection specifications .....	32
Voltage specifications .....	32
Output tolerance specifications .....	33
Output feature specifications .....	33
Battery specifications .....	33
Battery runtime .....	33
Environmental specifications .....	33
<b>Spares .....</b>	<b>35</b>
Ordering spares .....	35
T1000 UPS spare parts list .....	35
T1500 UPS spare parts list .....	35
Hardware options .....	35
<b>Technical support .....</b>	<b>36</b>
Before you contact HP .....	36
HP contact information .....	36
<b>Warranty information .....</b>	<b>37</b>
Limited warranty .....	37
\$250,000 Computer Load Protection Guarantee .....	37
Pre-Failure Battery Warranty .....	37
<b>Regulatory compliance notices .....</b>	<b>39</b>
Regulatory compliance identification numbers .....	39
Federal Communications Commission notice .....	39
FCC rating label .....	39
Class A equipment .....	40
Class B equipment .....	40
Declaration of conformity for products marked with the FCC logo, United States only .....	40
Modifications .....	41
Cables .....	41
Canadian notice (Avis Canadien) .....	41
European Union regulatory notice .....	41
Disposal of waste equipment by users in private households in the European Union .....	42
Japanese notice .....	42
BSMI notice .....	42
Korean notice .....	43
Battery replacement notice .....	43
Power cord statement for Japan .....	43
<b>Electrostatic discharge .....</b>	<b>44</b>
Preventing electrostatic discharge .....	44
Grounding methods to prevent electrostatic discharge .....	44
<b>Acronyms and abbreviations .....</b>	<b>45</b>

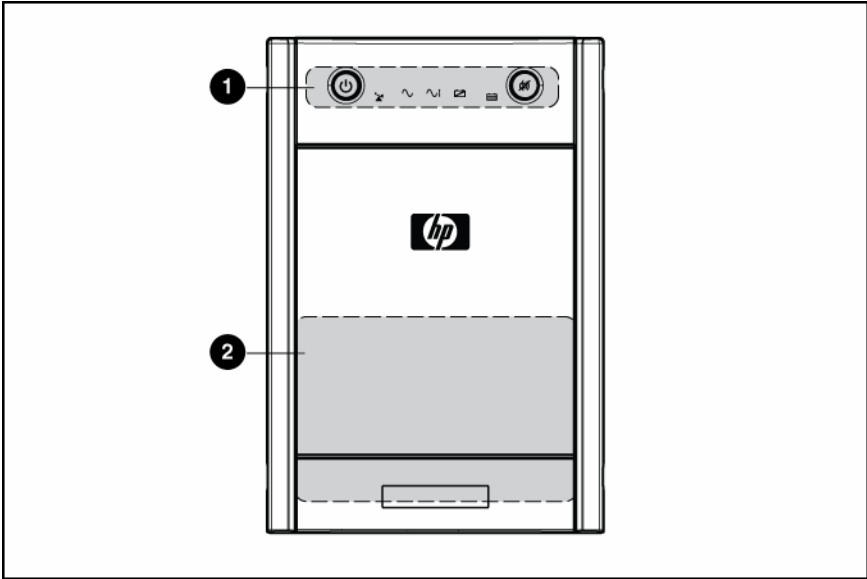
Index..... 46

# Component identification

## In this section

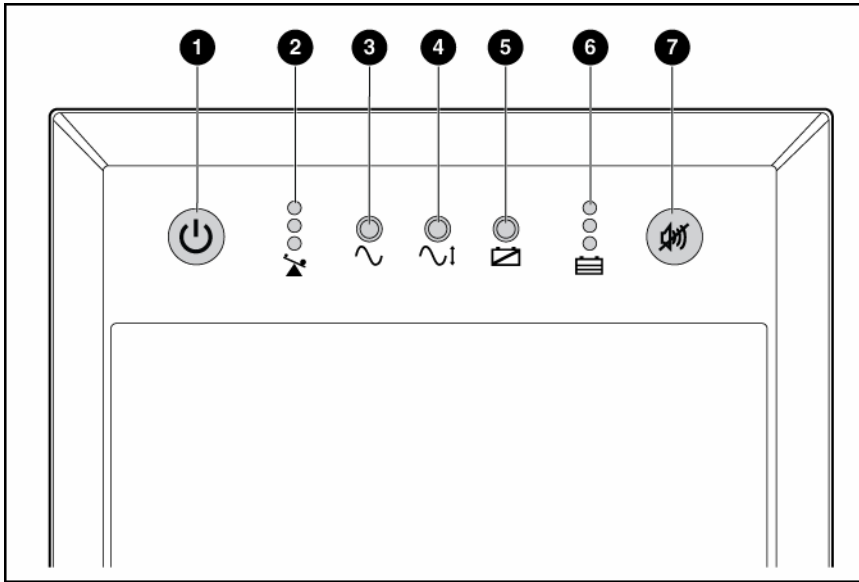
- UPS front panel ..... 6
- UPS front panel controls and LED indicators ..... 7
- UPS T1000 NA/JPN/TWN rear panel ..... 8
- UPS T1500 NA/JPN/TWN rear panel ..... 9
- UPS T1000 INTL rear panel ..... 10
- UPS T1500 INTL rear panel ..... 11

## UPS front panel




Item	Description
1	Control buttons and LED display
2	Battery compartment

# UPS front panel controls and LED indicators

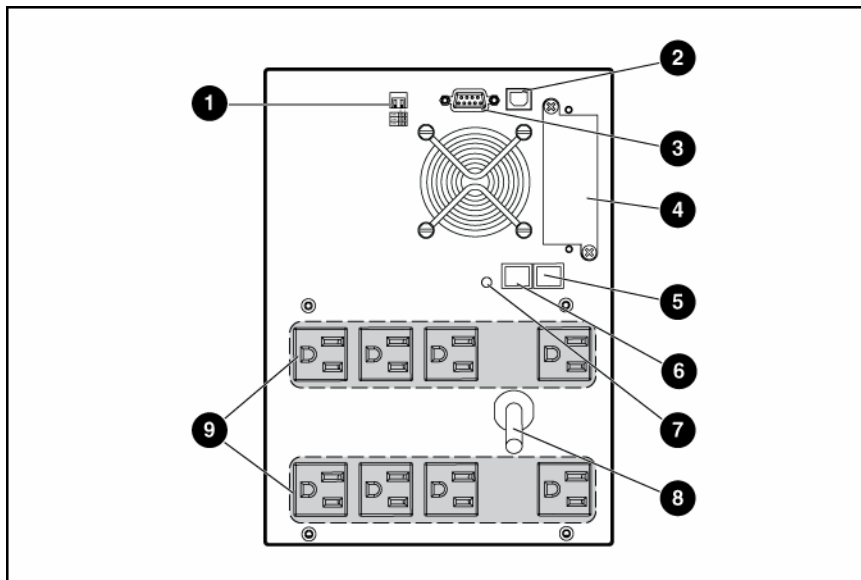


Item	Description	Function
1	Power On/Standby button	Turns the UPS power on and off, and places the UPS in Standby mode. <sup>1</sup>
2	Output Load Level LED	Shows approximately how much of the UPS power capacity is used to support the equipment connected to the output receptacles. Red—Maximum load Amber—Medium load Green—Light load
3	Power LED	Green—The UPS is on and supplying connected equipment with AC power. Flashing green—The UPS is operating from its internal batteries during a blackout or severe brownout. If the blackout or brownout is prolonged, save any open files and shut down the connected equipment.
4	Voltage Correction LED	Green—The UPS is automatically correcting high or low AC voltage on the utility line without the assistance of battery power. The UPS will emit a slight clicking noise.
5	Battery Warning LED	Amber—During a self-test, the UPS found that the batteries must be recharged. Charge the batteries and repeat the self-test (" <a href="#">Initiating a self-test</a> " on page 19).

Item	Description	Function
6	Battery Charge LED	<p>When the UPS is operating from utility power (the Power LED is green), the Battery Charge LED indicates the approximate charge state of the batteries:</p> <p>Red—The batteries are beginning to charge.</p> <p>Amber—The batteries are midway through charging.</p> <p>Green—The batteries are fully charged.</p> <p>When the UPS is operating on battery power during a blackout or severe brownout (the Power LED is flashing green), the Battery Charge LED indicates the approximate amount of remaining battery energy:</p> <p>Red—The batteries have a low level of energy.</p> <p>Amber—The batteries have a medium amount of energy.</p> <p>Green—The batteries have a high amount of energy.</p> <p>Periodically initiate a self-test ("<a href="#">Initiating a self-test</a>" on page 19) to determine the energy level of the batteries before a blackout or brownout occurs.</p>
7	Mute/Test button	Silences UPS alarms and initiates a self-test (" <a href="#">Initiating a self-test</a> " on page 19).

- 1  **IMPORTANT:** While in Standby mode, the UPS maintains the charge on the batteries, but no power is available at the output receptacles. The UPS remains in Standby mode until an alternate mode is selected or until utility power is removed.

## UPS T1000 NA/JPN/TWN rear panel

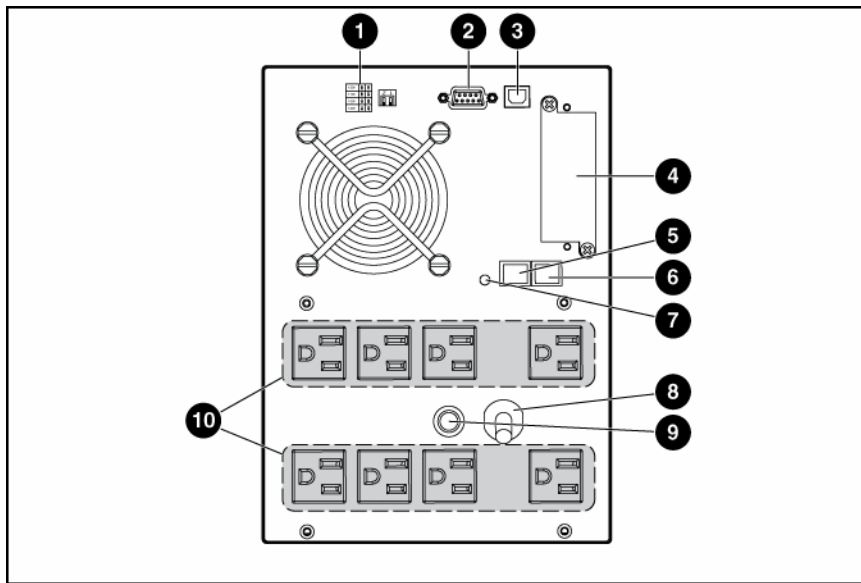


Item	Description
1	Voltage configuration DIP switches
2	USB communications port
3	Serial communications port
4	Option slot
5	Network Transient Protector IN jack



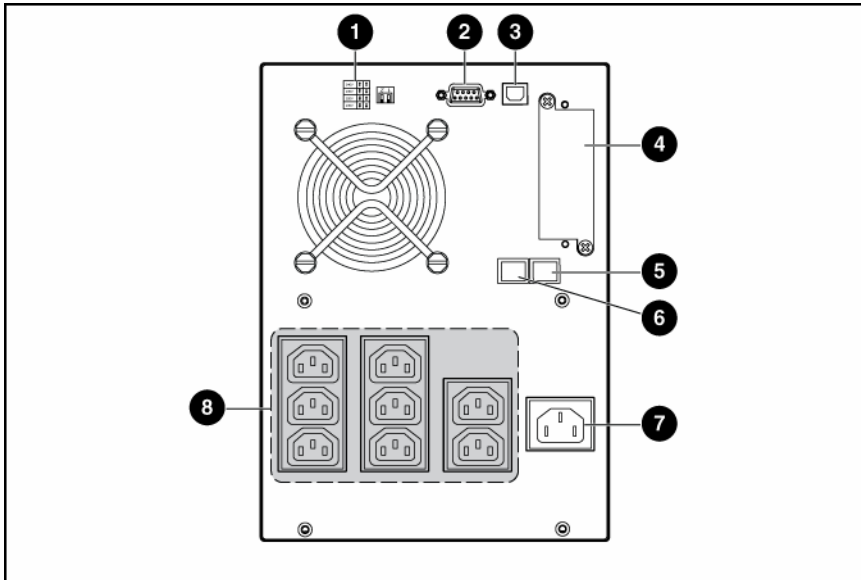
Item	Description
6	Network Transient Protector OUT jack
7	Site Wiring Fault LED
8	Input power cord with NEMA 5-15 plug
9	Eight NEMA 5-15 output receptacles for surge and battery backup protection.

## UPS T1500 NA/JPN/TWN rear panel



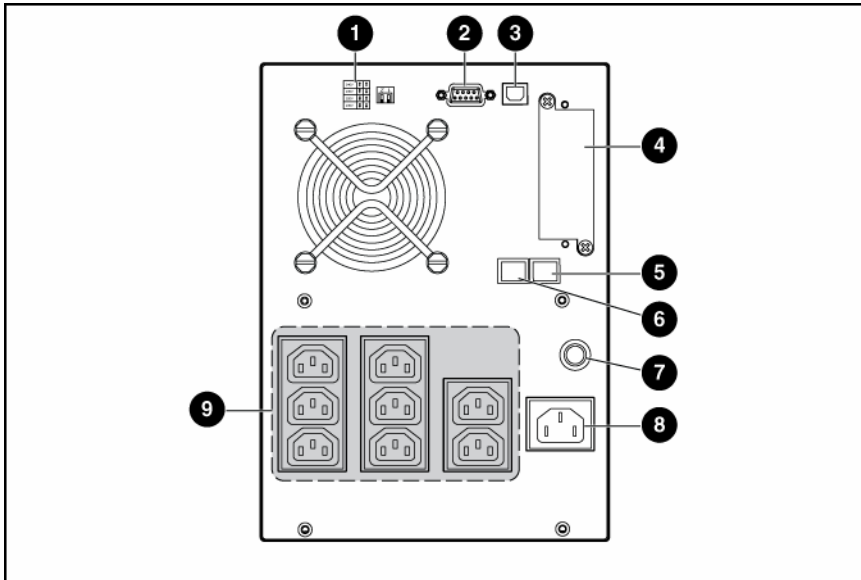
Item	Description
1	Voltage configuration DIP switches
2	Serial communications port
3	USB communications port
4	Option slot
5	Network Transient Protector IN jack
6	Network Transient Protector OUT jack
7	Site Wiring Fault LED
8	Input power cord with NEMA 5-15 plug
9	Input circuit breaker
10	Eight NEMA 5-15 output receptacles for surge and battery backup protection.

# UPS T1000 INTL rear panel



Item	Description
1	Voltage configuration DIP switches
2	Serial communications port
3	USB communications port
4	Option slot
5	Network Transient Protector IN jack
6	Network Transient Protector OUT jack
7	Input power receptacle (IEC-320-C14) for country-specific plug attachment
8	Eight IEC-320-C13 output receptacles for surge and battery backup protection

# UPS T1500 INTL rear panel



Item	Description
1	Voltage configuration DIP switches
2	Serial communications port
3	USB communications port
4	Option slot
5	Network Transient Protector IN jack
6	Network Transient Protector OUT jack
7	Input circuit breaker
8	Input power receptacle (IEC-320-C14) for country-specific plug attachment
9	Eight IEC-320-C13 output receptacles for surge and battery backup protection

---

# Installation

## In this section

Precautions .....	12
Electrical requirements .....	12
Checking the battery recharge date.....	13
Connecting the batteries.....	13
Selecting the UPS voltage configuration .....	14
Connecting the host computer.....	15
Connecting the Network Transient Protectors .....	16
Connecting the UPS to utility power.....	17
Connecting devices to the UPS.....	17
Charging the UPS batteries.....	17
Powering up the UPS .....	18

## Precautions

Save these instructions. This document contains important safety instructions that should be followed during installation, operation, and maintenance of the UPS and batteries.

- ⚠ WARNING: A risk of personal injury from electric shock and hazardous energy levels exists. The installation of options and routine maintenance and service of this product must be performed by individuals who are knowledgeable about the procedures, precautions, and hazards associated with AC power products.**
- ⚠ WARNING: To prevent personal injury from earth conductor leakage current:**
  - **Do not operate the UPS while disconnected from the utility power source.**
  - **Disconnect load devices before disconnecting the UPS from the utility power source.**
- ⚠ WARNING: To prevent personal injury, prepare the area and observe all materials handling procedures when transporting the UPS. When fully assembled, the UPS weighs 20.3 kg (44.8 lb).**
- ⚠ WARNING: To prevent personal injury, prepare the area and observe all materials handling procedures when transporting the UPS. When fully assembled, the UPS weighs 15.9 kg (35 lb).**

## Electrical requirements

- ⚠ WARNING: To prevent fire or electric shock, install the unit in a temperature- and humidity-controlled indoor environment, free of conductive contaminants.**

# Checking the battery recharge date

Before unpacking the UPS, check the date on the battery recharge date label that is affixed to the shipping carton.



**IMPORTANT:** Do not use the battery if the recharge date has passed. If the date on the battery recharge date label has passed without the battery being recharged, contact an HP authorized service representative for directions.

# Connecting the batteries



**WARNING:** The unit contains sealed lead-acid battery modules. To prevent fire or chemical burns:

- Do not attempt to recharge batteries after removal from the unit.
- Do not disassemble, crush, or puncture the batteries.
- Do not short the external contacts of the batteries.
- Do not immerse the batteries in water.
- Do not expose to temperatures higher than 40°C (104°F).



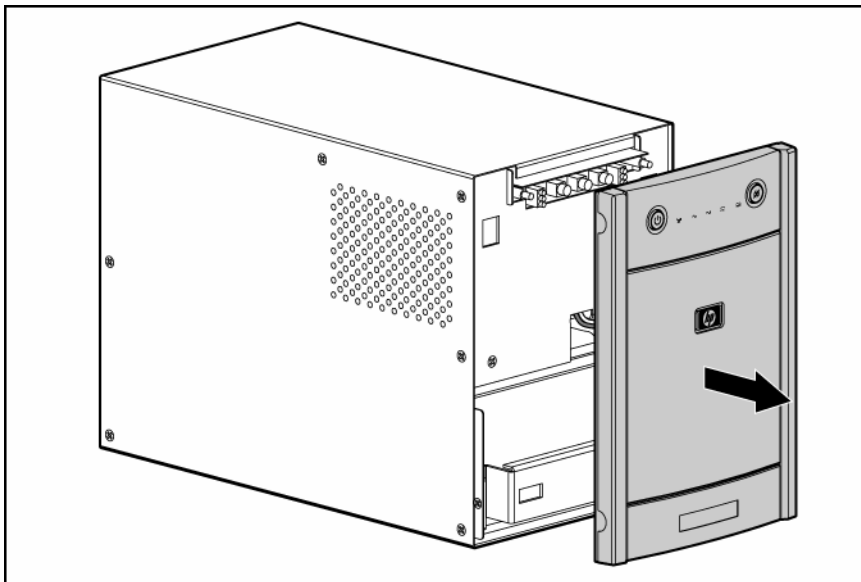
**WARNING:** To prevent personal injury from hazardous energy:

- Remove watches, rings, or other metal objects.
- Use tools with insulated handles.
- Do not place tools or metal parts on top of batteries.

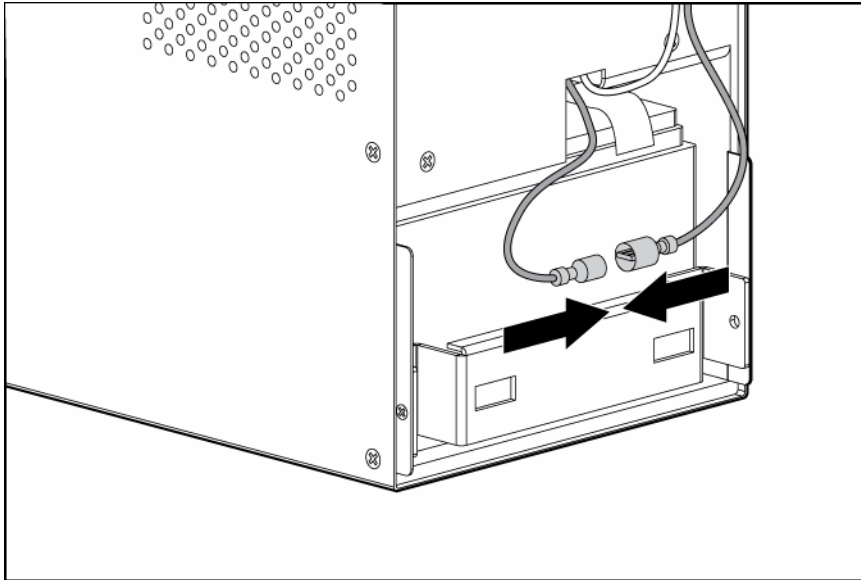


**IMPORTANT:** Before performing the following tasks, be sure that the unit is powered down and disconnected from the utility power source.

1. Remove the UPS front bezel.



2. Connect the negative (black) lead to the negative battery terminal.



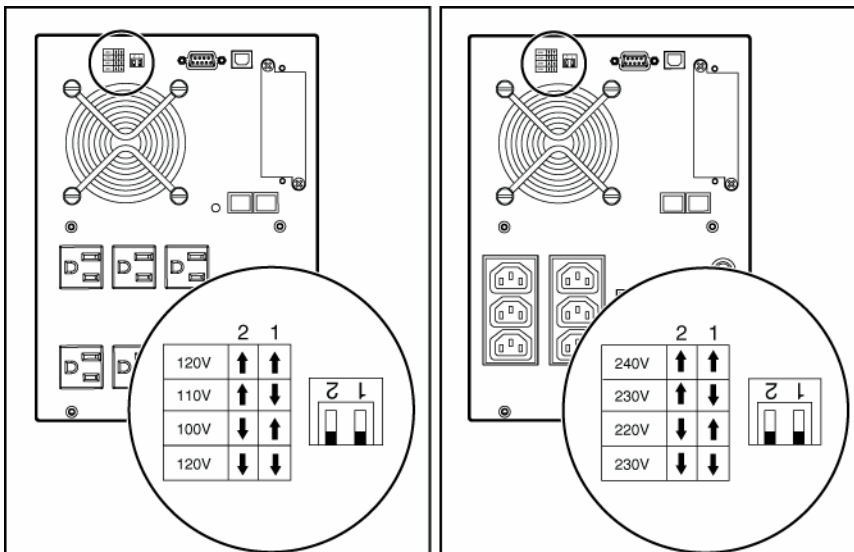
**NOTE:** A small amount of arcing may occur when connecting the batteries. This is normal and does not damage the unit or present any safety concern.

3. Replace the UPS front bezel.

## Selecting the UPS voltage configuration

Using a small tool, position the DIP switches according to the desired voltage configuration as identified on the rear panel of the UPS and in the following table.

**NOTE:** The DIP switches must be set before powering up the unit. The unit does not change operating modes while powered up.



**NOTE:** An asterisk (\*) indicates the default setting.

	Output voltage	Input voltage range	DIP switch 2	DIP switch 1
--	----------------	---------------------	--------------	--------------

	Output voltage	Input voltage range	DIP switch 2	DIP switch 1
T1000/1500 NA/JPN/TWN	100 V* (JPN/TWN)	90–106 V	Down	Up
	110 V	99–116 V	Up	Down
	120 V* (NA)	108–127 V	Down	Down
T1000/1500 INTL	120 V	108–127 V	Up	Up
	220 V	198–233 V	Down	Up
	230 V* (INTL)	207–243 V	Up	Down
	230 V	207–243 V	Down	Down
	240 V	216–254 V	Up	Up

## Connecting the host computer

⚠ **CAUTION:** Use only the computer interface cable supplied with the UPS to connect the communications port to the host computer.

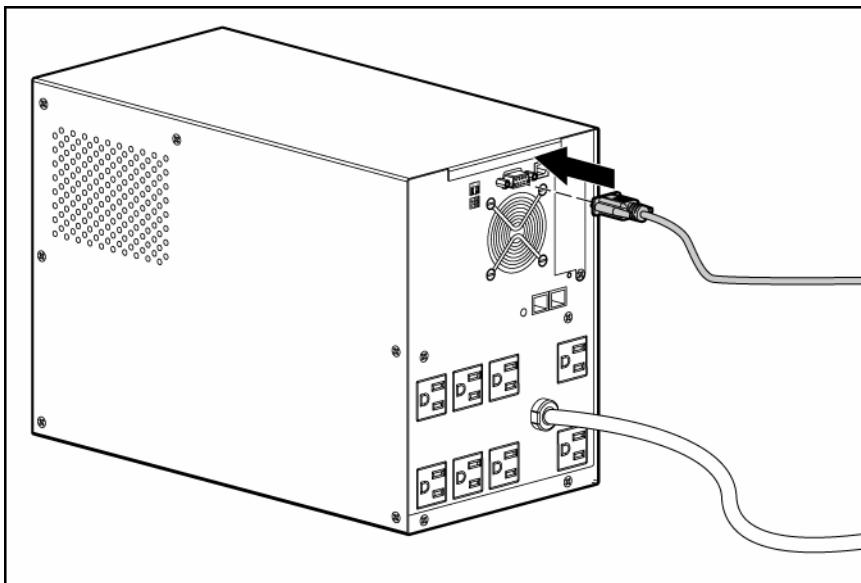
⚠ **CAUTION:** Using a USB to serial converter cable will damage the UPS.

Connect the UPS to a host computer using either the USB cable or the DB9 serial cable included with the UPS. Install HP Power Manager software 4.1 or later on the host computer. See the HP website (<http://www.hp.com/go/rackandpower>) to download the latest version of HP Power Manager.

📖 **NOTE:** To install and configure the software, see the software user guide. The software user guide is available for download from the HP website (<http://www.hp.com/go/rackandpower>).

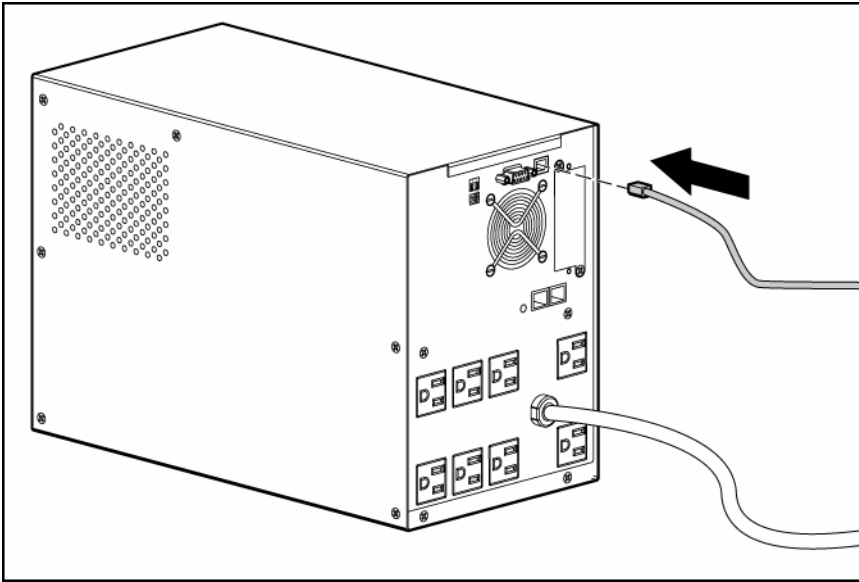
## Connecting the serial communications port

⚠ **CAUTION:** Using a USB to serial converter cable will damage the UPS.



## Connecting the USB communications port

**⚠ CAUTION:** Using a USB to serial converter cable will damage the UPS.

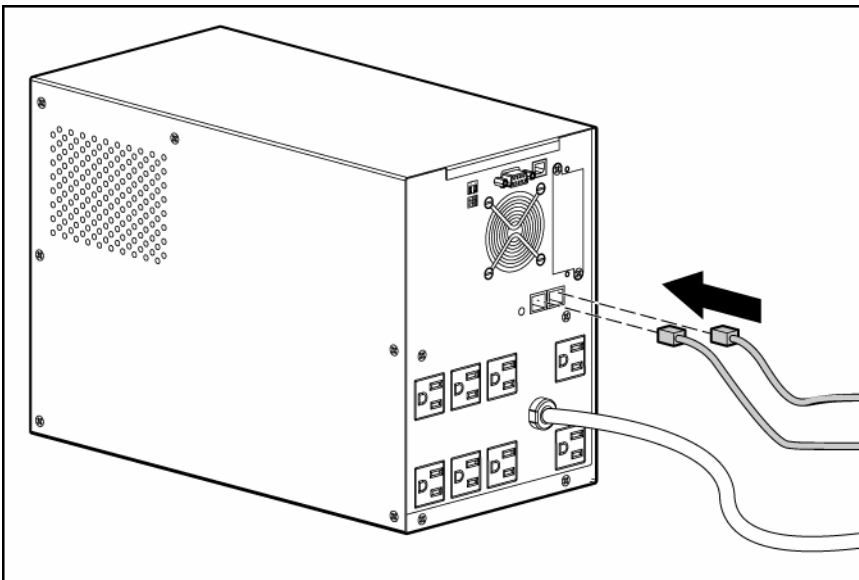


## Connecting the Network Transient Protectors

**⚠ CAUTION:** To avoid damaging the equipment, use the Network Transient Protector with a standard telephone line only, not with a digital PBX.

To protect equipment against surges over a network data line:

1. Connect the network wall jack to the UPS Network Transient Protector IN jack.
2. Connect the equipment to the UPS Network Transient Protector OUT jack.






## Connecting the UPS to utility power

 **WARNING:** To prevent injury from electric shock or damage to the equipment:

- **Plug the input line cord into a grounded (earthed) electrical outlet that is installed near the equipment and is easily accessible.**
  - **Do not disable the grounding plug on the input line cord. The grounding plug is an important safety feature.**
  - **Do not use extension cords.**
1. Connect the input power cord from an intended load device to the IEC-320-C14 input power receptacle on the UPS rear panel (INTL model only).
  2. Connect the UPS power cord to a grounded utility power outlet. When the UPS is plugged in, the batteries begin to charge. Power to the output receptacles designated for surge and battery backup is not available until the unit is powered up.

For more information about receptacle control, see "Power management software ("HP Power Manager features" on page 21)" .

## Connecting devices to the UPS

 **CAUTION:** Do not plug laser printers into the UPS output receptacles. The instantaneous current drawn by this type of printer can overload the UPS.


Before connecting devices, verify that the UPS will not overload by checking that the ratings of the devices do not exceed the UPS capacity. If the equipment rating is listed in amps, multiply the number of amps by the selected output voltage to determine the VA.

After verifying that the UPS will not overload:

- Connect the device power cords to the output receptacles on the rear panel of the UPS (NA/JPN/TWN model).
- or-
- Connect devices to the output receptacles on the rear panel of the UPS using the jumper cords included with the UPS (INTL model).

## Charging the UPS batteries

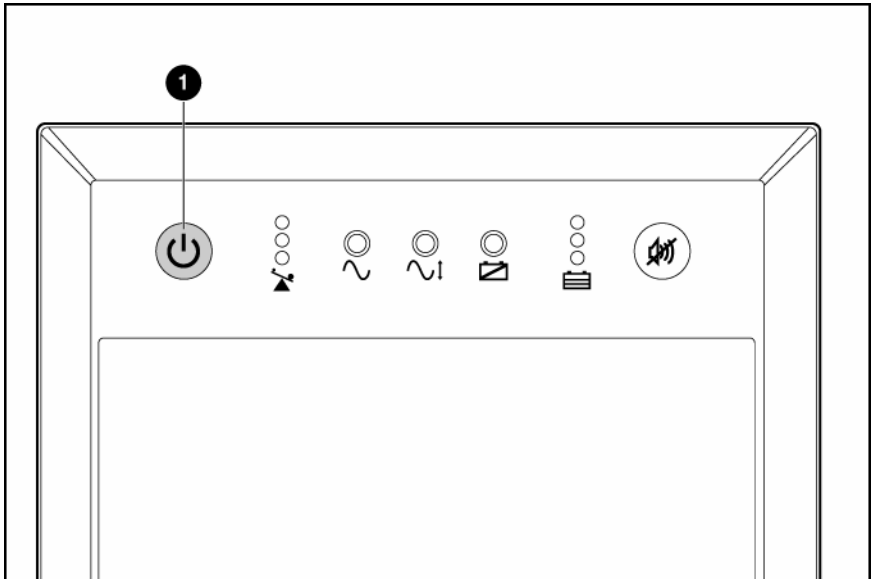
Allow the batteries to charge before putting the UPS into service.

 **IMPORTANT:** Charge the batteries for at least 24 hours before supplying backup power to devices. The batteries charge to:

- 90% of their capacity within 4 hours
- 100% of their capacity within 24 hours

# Powering up the UPS

Press and hold the Power On/Standby button (1) until the UPS beeps. The Power LED illuminates solid green, indicating that power is available at the UPS output receptacles.



---

# UPS operations

## In this section

Initiating a self-test .....	19
Silencing an audible alarm.....	19
Powering down the UPS.....	19

## Initiating a self-test

A self-test can be performed with equipment connected to the UPS output receptacles. To initiate a self-test, press and hold the Mute/Test button until the alarm beeps two times.

**⚠ CAUTION:** Do not unplug the UPS to test the batteries. This action removes safe electrical grounding and can introduce a damaging surge into the network connections.

The self-test lasts approximately 10 seconds as the UPS switches to battery power to test the load capacity and battery charge. During the self-test, the Power LED flashes, the Output Load Level LED illuminates, and the Battery Charge LED illuminates.

## Silencing an audible alarm

Press the Mute/Test button.



### IMPORTANT:

- Although the audible alarm silences, the condition that caused the alarm to sound might still exist.
- If a utility power failure caused the alarm (the Power LED is flashing green), the alarm silences after power is restored.

## Audible alarm conditions

Alarm type	Condition	Audible alarm	Can alarm be silenced?
Normal	UPS operating from utility power	No audible alarm	N/A
UPS on battery	UPS operating on battery power	On–four short beeps	Yes
Shutdown imminent	Batteries nearly out of power	On–continuous	Yes
Battery problem	Batteries must be recharged	On–intermittent beeps	Yes
Overload	UPS power capacity exceeded	On–continuous	Yes

## Powering down the UPS

1. Shut down all connected load devices.
2. Press the Power On/Standby button. Power to the output receptacles ceases.
3. Disconnect the UPS from utility power.

4. Wait at least 60 seconds for the UPS internal circuitry to discharge.

---

# Power management

## In this section

HP Power Manager features .....	21
---------------------------------	----

## HP Power Manager features

HP Power Manager software ensures maximum power reliability of computer systems through comprehensive control of UPSs. The easy-to-use browser interface enables novice users to configure and manage power protection settings. To download the latest version of HP Power Manager software, see the HP website (<http://www.hp.com/go/rackandpower>).



**NOTE:** To install and configure the software, see the software user guide. The software user guide is available for download from the HP website (<http://www.hp.com/go/rackandpower>).

HP Power Manager:

- Does not require complex management systems, which simplifies deployment, configuration, and management of UPS-protected environments.
- Manages a graceful shutdown of attached devices during utility power failures.
- Prioritizes the timing of attached load device shutdowns.
- Shuts down and reboots any UPS and attached load devices based on a user-specified schedule.
- Customizes alert generation with modifiable dialog boxes, command execution, and email and broadcast messages.
- Monitors the status of the UPS and reports alarms.
- Displays a power log for analysis.

---

# Maintenance

## In this section

Updating the UPS firmware .....	22
Replacing the batteries.....	22
Cleaning battery spills .....	26

## Updating the UPS firmware

 **CAUTION:** Using a USB to serial converter cable will damage the UPS.

To update the UPS firmware, see the HP website (<http://www.hp.com/go/rackandpower>).

## Replacing the batteries

To replace the batteries:

1. Read and adhere to the requirements in Important battery safety information (on page 22) and Battery care and storage guidelines (on page 22).
2. Follow the instructions in UPS battery replacement procedure (on page 23).

## Important battery safety information

 **WARNING: The unit contains sealed lead-acid battery modules. To prevent fire or chemical burns:**


- Do not attempt to recharge batteries after removal from the unit.
- Do not disassemble, crush, or puncture the batteries.
- Do not short the external contacts of the batteries.
- Do not immerse the batteries in water.
- Do not expose to temperatures higher than 60°C (140°F).

 **WARNING: To prevent personal injury from hazardous energy:**

- Remove watches, rings, or other metal objects.
- Use tools with insulated handles.
- Do not place tools or metal parts on top of batteries.

 **NOTE:** To increase the useful life of the batteries, replace all battery modules at the same time.

## Battery care and storage guidelines

 **CAUTION:** Because of the short shelf life of the batteries, avoid storing a battery spare as a backup. Do not maintain an inventory of spare batteries on site unless a procedure to keep these batteries charged while in storage is implemented.

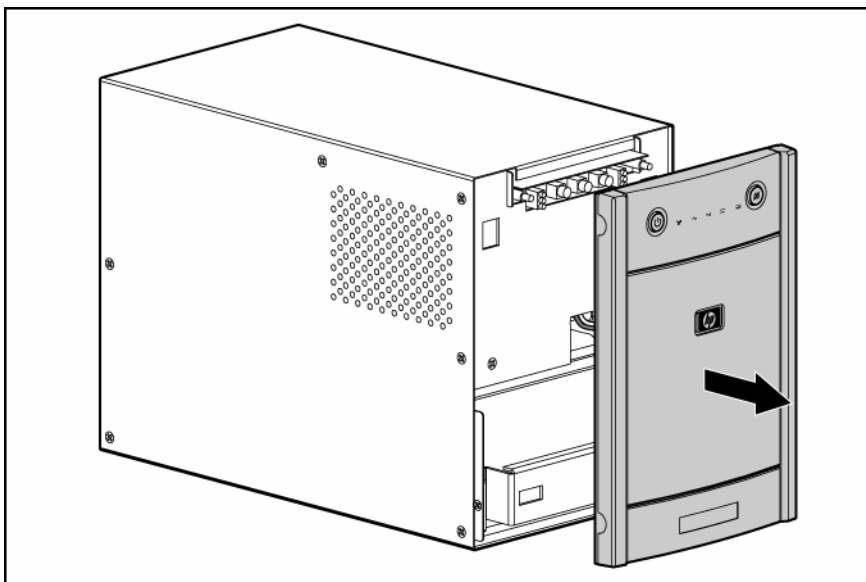
To maintain the batteries:

- Minimize the amount of time the UPS uses battery power by matching the UPS configuration with the utility voltage. See "Selecting the UPS voltage configuration (on page 14)."
- Keep the area around the UPS clean and dust-free. If the environment is very dusty, clean the outside of the UPS regularly with a vacuum cleaner.
- Maintain the ambient temperature at 25°C (77°F).
- If storing a UPS for an extended period, recharge the batteries ("Charging the UPS batteries" on page 17) every 6 months, and then update the battery recharge date label.

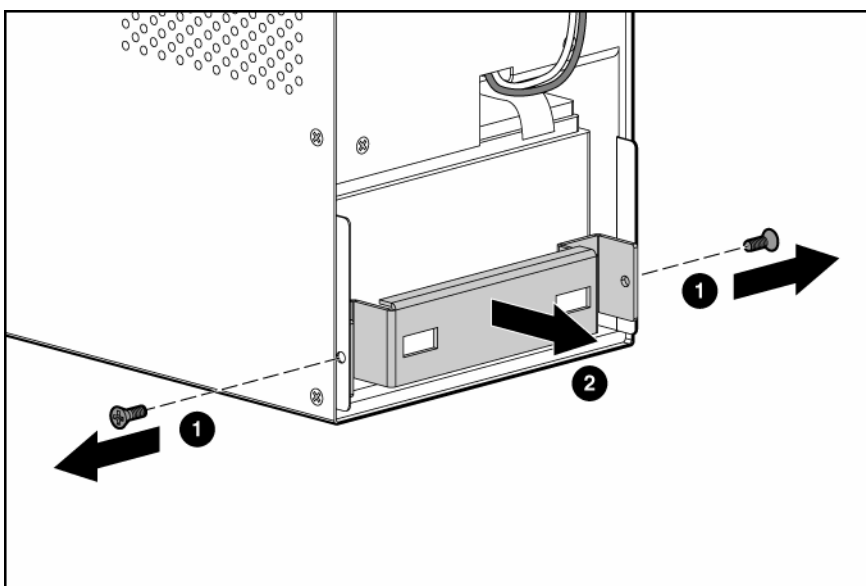
## UPS battery replacement procedure

This component is hot-swappable and can be replaced without powering down the UPS.

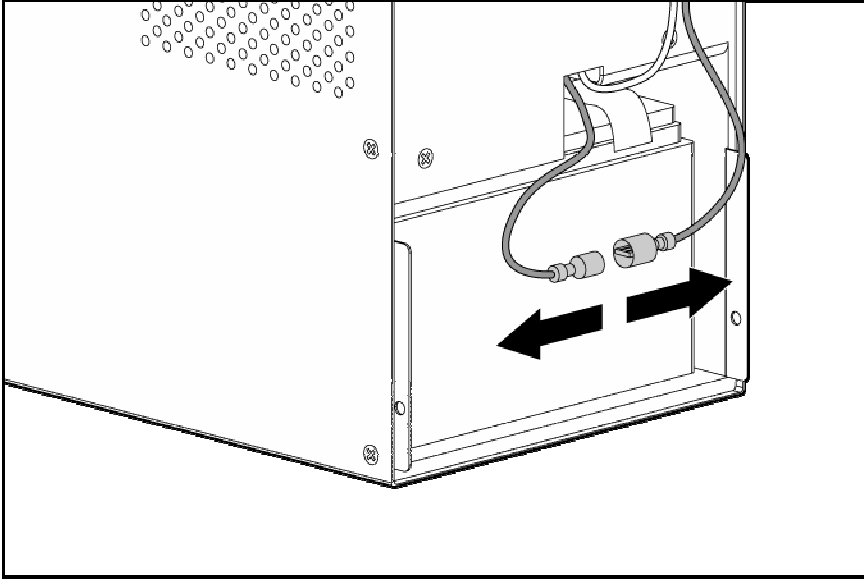
1. (optional) To replace the component with the UPS powered down, refer to Powering down the UPS (on page 19).
2. Remove the UPS front bezel.



3. Remove the battery bracket.

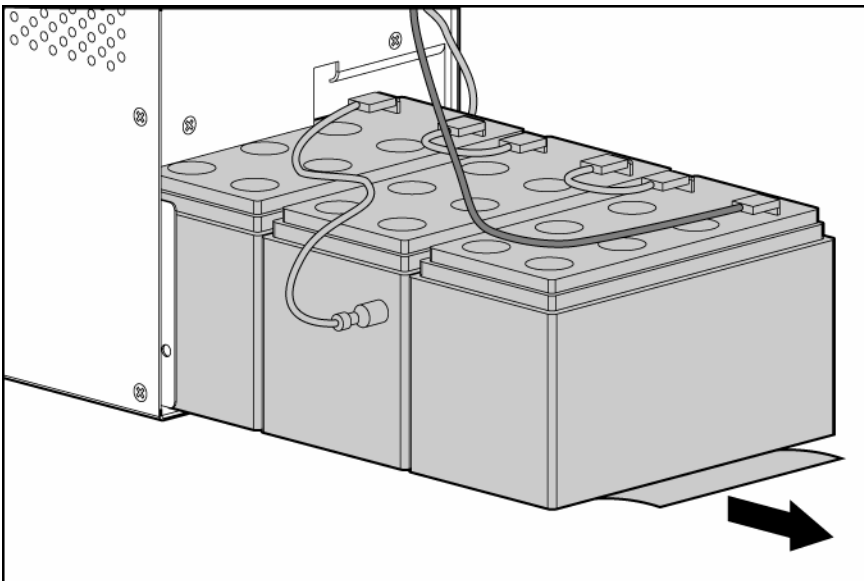
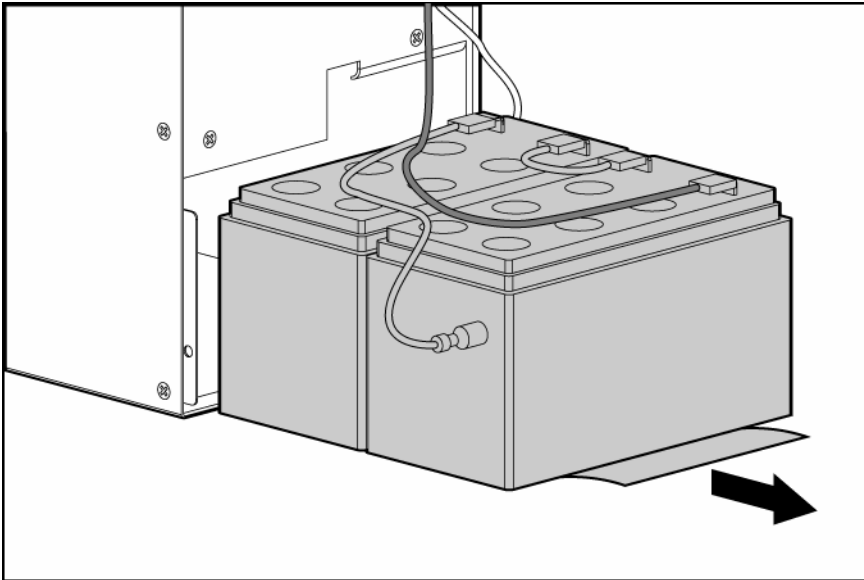


4. Disconnect the negative (black) lead.

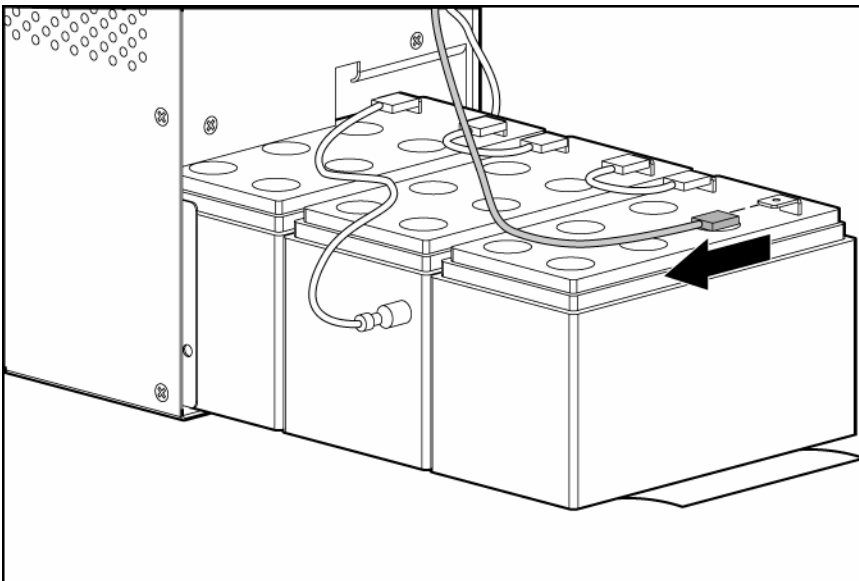
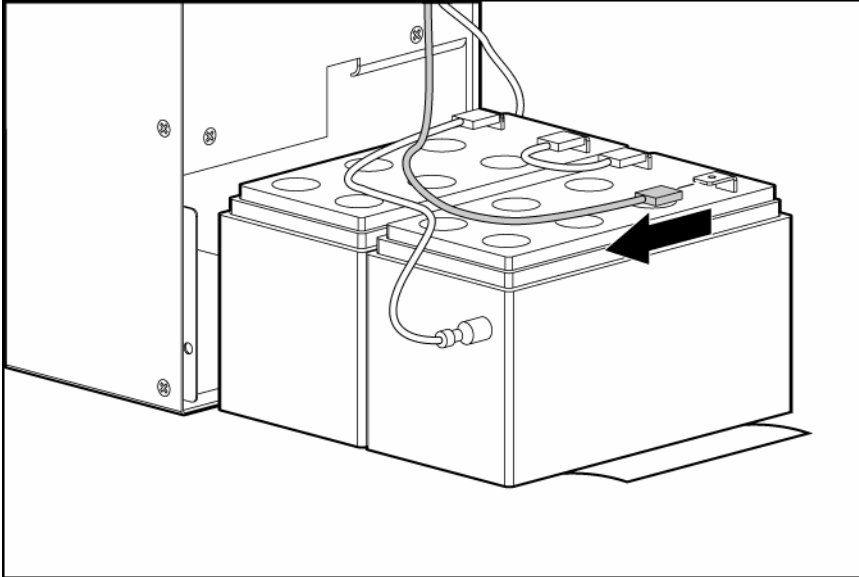




5. Remove the battery module.



6. Disconnect the positive (red) lead.



To replace the component, reverse the removal procedure.



**IMPORTANT:** Charge the batteries for at least 24 hours before supplying backup power to devices. The batteries charge to:

- 90% of their capacity within 4 hours
- 100% of their capacity within 24 hours

## Cleaning battery spills

1. Put on acid-resistant boots, a chemical face shield, chemical splash goggles, and acid-resistant gloves.



**WARNING: Battery acid can severely damage your eyes and skin.**

2. Remove combustible materials and all sources of ignition.
3. Stop the flow of material and contain or absorb small spills with dry sand, earth, or vermiculite.

4. Neutralize spilled battery acid with the special solutions contained in a spill kit or with a solution of 1 lb baking soda to 1 gallon of water.
5. Be sure the mixture is neutral, then collect the residue and place the residue in a drum or other suitable container.
6. Properly dispose of hazardous waste.

 **WARNING: Do not allow discharge of unneutralized acid to reach the sewer.**

---

# Troubleshooting

## In this section

UPS does not start .....	28
Audible alarm sounds .....	28
UPS operates on battery only .....	28
UPS frequently switches between utility and battery power .....	29
UPS does not provide the expected backup time .....	29
UPS emits a slight clicking noise .....	29
Power LED flashes .....	29
Voltage Configuration LED is green .....	29
Output Load Level LED is red or flashing red .....	30
Battery Charge LED is red .....	30
Battery Warning LED is amber .....	30
Site Wiring Fault LED is red .....	30

## UPS does not start

**Action:**

1. Be sure that the power cord is plugged in to a utility power receptacle.
2. Check the power source at the utility power receptacle.
3. Allow the UPS batteries to charge for 24 hours.

## Audible alarm sounds

**Action:**

1. Identify the LED associated with the audible alarm.
2. Check the troubleshooting information in this document to determine the cause of the alarm.

## UPS operates on battery only

**Action:**

1. Save your work.
2. Power down the load devices connected to the UPS output receptacles.
3. Remove one or more load devices to reduce the power requirements.
4. Be sure the UPS configuration matches the utility voltage. Refer to "Selecting the UPS voltage configuration (on page 14)."

## UPS frequently switches between utility and battery power

**Action:**

1. Check the input voltage and reconfigure the UPS ("[Selecting the UPS voltage configuration](#)" on page 14).
2. Contact a qualified electrician to verify that the utility power is suitable for the UPS.

## UPS does not provide the expected backup time

**Action:**

1. If the Output Load Level LED is red or flashing red, remove one or more load devices to reduce the power requirements.
2. Power down the UPS ("[Powering down the UPS](#)" on page 19).
3. Verify that the batteries are connected.
4. Allow the UPS batteries to charge for 24 hours.
5. Initiate a self-test ("[Initiating a self-test](#)" on page 19).
6. During extended power outages, save your work, power down the load devices, and then power down the UPS ("[Powering down the UPS](#)" on page 19) to conserve battery power.

## UPS emits a slight clicking noise

**Action:** The UPS is automatically correcting high or low AC voltage on the utility line. No action is required.

## Power LED flashes

**Action:**

If the Battery Charge LED is also red:

- a. Save your work, and power down the UPS ("[Powering down the UPS](#)" on page 19).
- b. After the blackout or brownout is over, power up the UPS ("[Powering up the UPS](#)" on page 18).
- c. Allow the UPS batteries to charge for 24 hours.

If the Battery Charge LED is also yellow or green:

- a. Consider saving your work and powering down the UPS (on page 19). If the blackout or brownout is prolonged, the Battery Charge LED turns red as the UPS batteries near depletion.
- b. After the blackout or brownout is over, power up the UPS ("[Powering up the UPS](#)" on page 18).
- c. Allow the UPS batteries to charge for 24 hours.

## Voltage Configuration LED is green

**Action:** The UPS is automatically correcting high or low AC voltage on the utility line. No action is required.

## Output Load Level LED is red or flashing red

**Action:**

1. Remove one or more load devices to reduce the power requirements.
2. Initiate a self-test ("[Initiating a self-test](#)" on page 19).
3. If the condition persists, verify that the load devices are not defective.

## Battery Charge LED is red

**Action:**

If the Power LED is flashing green:

- a. Save your work, and power down the UPS ("[Powering down the UPS](#)" on page 19).
- b. After the blackout or brownout is over, power up the UPS ("[Powering up the UPS](#)" on page 18).
- c. Allow the UPS batteries to charge for 24 hours.

If the Power LED is green:

- a. Continue to let the batteries charge until the Battery Charge LED is green.
- b. Initiate a self-test ("[Initiating a self-test](#)" on page 19).

## Battery Warning LED is amber

**Action:**

1. Allow the UPS batteries to charge for 24 hours.
2. Initiate a self-test ("[Initiating a self-test](#)" on page 19).

## Site Wiring Fault LED is red

**Action:** Contact a qualified electrician to be sure that:

- The utility power receptacle is grounded.
- There is a ground wire in the UPS power cord.
- The line and neutral wires are not reversed in the wall outlet.

---

# Specifications

## In this section

T1000 physical specifications.....	31
T1500 physical specifications.....	31
UPS input specifications .....	31
T1000 output specifications.....	32
T1500 output specifications.....	32
T1000 power protection specifications .....	32
T1500 power protection specifications .....	32
Voltage specifications .....	32
Output tolerance specifications .....	33
Output feature specifications.....	33
Battery specifications .....	33
Battery runtime.....	33
Environmental specifications .....	33


## T1000 physical specifications

Parameter	Value
Height	26.2 cm (10.3 in)
Depth	33.8 cm (13.3 in)
Width	17.0 cm (6.7 in)
Weight	15.9 kg (35 lb)

## T1500 physical specifications

Parameter	Value
Height	26.2 cm (10.3 in)
Depth	33.8 cm (13.3 in)
Width	17.0 cm (6.7 in)
Weight	20.3 kg (44.8 lb)

## UPS input specifications

 **NOTE:** An asterisk (\*) indicates the default setting.

UPS model	Utility voltage frequency (Hz)	Available settings utility voltage (VAC)	Branch circuit rating (A)	Line cord
T1000/1500 NA/JPN/TWN	60/50	100, 110, 120*	15	Nondetachable power cord with NEMA 5-15 plug
T1000/1500 INTL	50/60	220, 230*, 240	10	Detachable power cord with IEC-320 plug

## T1000 output specifications

UPS model	Output receptacles	Maximum current
T1000 NA/JPN/TWN	8 x NEMA 5-15	8.3 A
T1000 INTL	8 x IEC-320-C13	4.3 A

## T1500 output specifications

UPS model	Output receptacles	Maximum current
T1500 NA/JPN/TWN	8 x NEMA 5-15	12.5 A
T1500 INTL	8 x IEC-320-C13	6.5 A

## T1000 power protection specifications

UPS model	VA	Nominal power rating (W)	Nominal voltage setting
T1000 NA/JPN/TWN	1000	650	100, 110, 120
T1000 INTL	1000	650	220, 230, 240

## T1500 power protection specifications

UPS model	VA	Nominal power rating (W)	Nominal voltage setting
T1500 NA/JPN/TWN	1500	900	100, 110, 120
T1500 INTL	1500	900	220, 230, 240

## Voltage specifications

Configuration setting (VAC)	Available nominal output voltage (VAC)
100	100
110	110
120	120
220	220



Configuration setting (VAC)	Available nominal output voltage (VAC)
230	230
240	240

## Output tolerance specifications

Source of power	Regulation
Utility power (nominal range)	-10% to +6% of nominal output voltage rating (within the guidelines of the Computer Business Equipment Manufacturers Association)
Battery power	±5% of nominal output voltage rating

## Output feature specifications

Feature	Specification
Online efficiency	94% nominal input voltage
Voltage wave shape	Sine wave; 5% THD with typical PFC load; 15-20% THD on battery
Surge suppression	High-energy 6500 A peak
Noise filtering	MOVs and line filter for normal and common mode use

## Battery specifications

Feature	Specification
Type	12 V, 9 AH, sealed, maintenance-free, rechargeable, lead-acid battery.
Charging	Complete charge takes no more than 24 hours. After approximately 4 hours, the batteries reach 90% charge at default nominal utility voltage and no load.

## Battery runtime

Load, percent	Load, watts	Estimated battery runtime at 100% battery charge
20	100	45 minutes
50	250	15 minutes
80	400	6 minutes
100	500	4 minutes

## Environmental specifications

Feature	Specification
Operating temperature	0°C to 40°C (32°F to 104°F)
Nonoperating temperature	-15°C to 50°C (5°F to 122°F)
Relative humidity	0% to 95%; noncondensing

<b>Feature</b>	<b>Specification</b>
Operating altitude	Up to 2,000 m (6,600 ft) above sea level
Nonoperating altitude	Up to 15,000 m (49,212 ft) above sea level
Audible noise	Less than 53 dBA

---

# Spares

## In this section

Ordering spares.....	35
T1000 UPS spare parts list.....	35
T1500 UPS spare parts list.....	35
Hardware options.....	35

## Ordering spares

To order a spare, visit the HP website (<http://h61003.www6.hp.com>).

To replace parts under warranty, contact an HP authorized service representative.

## T1000 UPS spare parts list

Item	Spare part number
UPS unit NA	410033-001
UPS unit JPN/TWN	410034-291
UPS unit INTL	410035-B31

## T1500 UPS spare parts list

Item	Spare part number
UPS unit NA	410036-001
UPS unit JPN/TWN	410037-291
UPS unit INTL	410038-B31
Battery	416556-001

## Hardware options

For information on the supported hardware options, see the HP website (<http://www.hp.com/go/rackandpower>).

---

# Technical support

## In this section

Before you contact HP.....	36
HP contact information.....	36

## Before you contact HP

Be sure to have the following information available before you call HP:

- Technical support registration number (if applicable)
- Product serial number
- Product model name and number
- Applicable error messages
- Add-on boards or hardware
- Third-party hardware or software
- Operating system type and revision level

## HP contact information

For the name of the nearest HP authorized reseller:

- In the United States, refer to the HP US service locator webpage ([http://www.hp.com/service\\_locator](http://www.hp.com/service_locator)).
- In other locations, refer to the HP website (<http://www.hp.com>).

For HP technical support:

- In North America:
  - Call 1-800-HP-INVENT (1-800-474-6836). This service is available 24 hours a day, 7 days a week. For continuous quality improvement, calls may be recorded or monitored.
  - If you have purchased a Care Pack (service upgrade), call 1-800-633-3600. For more information about Care Packs, refer to the HP website (<http://www.hp.com>).
- Outside North America, call the nearest HP Technical Support Phone Center. For telephone numbers for worldwide Technical Support Centers, refer to the HP website (<http://www.hp.com>).

---

# Warranty information

## In this section

Limited warranty .....	37
\$250,000 Computer Load Protection Guarantee .....	37
Pre-Failure Battery Warranty .....	37

## Limited warranty

To back up the wide range of features offered with the UPS, a 3-year limited warranty is provided.

## \$250,000 Computer Load Protection Guarantee

In addition to the limited warranty, a \$250,000 Computer Load Protection Guarantee (provided by the original equipment manufacturer) is offered.



**IMPORTANT:** The \$250,000 Computer Load Protection Guarantee is offered only in The United States and Canada.

The \$250,000 Computer Load Protection Guarantee only applies if:

- The UPS is plugged into a suitably grounded and wired outlet using no extension cords, adapters, other ground wires, or other electrical connections.
- The UPS installation complies with all applicable electrical and safety codes specified by the NEC.
- The UPS is used under normal operating conditions and users comply with all instructions and labels.
- The UPS is not damaged by accident (other than a utility power transient), misuse, or abuse.
  - The Guarantee applies only to the original end-user and is non-transferable.
  - The Guarantee does not include reimbursement for or restoration of any data loss.
- The UPS is either connected directly to an enterprise class PDU, which is then connected directly to a server, workstation, or personal computer, or the UPS is connected directly to a server, workstation, or personal computer.

## Pre-Failure Battery Warranty

The Pre-Failure Battery Warranty, standard on all UPS units, extends the advantage of a 3-year limited warranty by applying it to the battery before it actually fails. The Pre-Failure Battery Warranty ensures that the battery is replaced free of charge when a notification that the battery might fail is received from power management software. The battery warranty coverage is 3 years for parts. The warranty for the first year of ownership includes parts and labor. If battery spares are not available for a particular UPS model, the entire UPS, including its battery, is replaced.

A Pre-Failure Battery warning is given 30 days before a battery failure. The warning is indicated in one or both of the following ways:

- An LED showing the battery is low

- Notification from power management software

---

# Regulatory compliance notices

## In this section

Regulatory compliance identification numbers.....	39
Federal Communications Commission notice .....	39
Declaration of conformity for products marked with the FCC logo, United States only.....	40
Modifications.....	41
Cables .....	41
Canadian notice (Avis Canadien) .....	41
European Union regulatory notice .....	41
Disposal of waste equipment by users in private households in the European Union .....	42
Japanese notice .....	42
BSMI notice .....	42
Korean notice .....	43
Battery replacement notice .....	43
Power cord statement for Japan .....	43

## Regulatory compliance identification numbers

For the purpose of regulatory compliance certifications and identification, this product has been assigned a unique regulatory model number. The regulatory model number can be found on the product nameplate label, along with all required approval markings and information. When requesting compliance information for this product, always refer to this regulatory model number. The regulatory model number is not the marketing name or model number of the product.

## Federal Communications Commission notice

Part 15 of the Federal Communications Commission (FCC) Rules and Regulations has established Radio Frequency (RF) emission limits to provide an interference-free radio frequency spectrum. Many electronic devices, including computers, generate RF energy incidental to their intended function and are, therefore, covered by these rules. These rules place computers and related peripheral devices into two classes, A and B, depending upon their intended installation. Class A devices are those that may reasonably be expected to be installed in a business or commercial environment. Class B devices are those that may reasonably be expected to be installed in a residential environment (for example, personal computers). The FCC requires devices in both classes to bear a label indicating the interference potential of the device as well as additional operating instructions for the user.

### FCC rating label

The FCC rating label on the device shows the classification (A or B) of the equipment. Class B devices have an FCC logo or ID on the label. Class A devices do not have an FCC logo or ID on the label. After you determine the class of the device, refer to the corresponding statement.

## Class A equipment

This equipment has been tested and found to comply with the limits for a Class A digital device, pursuant to Part 15 of the FCC Rules. These limits are designed to provide reasonable protection against harmful interference when the equipment is operated in a commercial environment. This equipment generates, uses, and can radiate radio frequency energy and, if not installed and used in accordance with the instructions, may cause harmful interference to radio communications. Operation of this equipment in a residential area is likely to cause harmful interference, in which case the user will be required to correct the interference at personal expense.

## Class B equipment

This equipment has been tested and found to comply with the limits for a Class B digital device, pursuant to Part 15 of the FCC Rules. These limits are designed to provide reasonable protection against harmful interference in a residential installation. This equipment generates, uses, and can radiate radio frequency energy and, if not installed and used in accordance with the instructions, may cause harmful interference to radio communications. However, there is no guarantee that interference will not occur in a particular installation. If this equipment does cause harmful interference to radio or television reception, which can be determined by turning the equipment off and on, the user is encouraged to try to correct the interference by one or more of the following measures:

- Reorient or relocate the receiving antenna.
- Increase the separation between the equipment and receiver.
- Connect the equipment into an outlet on a circuit that is different from that to which the receiver is connected.
- Consult the dealer or an experienced radio or television technician for help.

## Declaration of conformity for products marked with the FCC logo, United States only

This device complies with Part 15 of the FCC Rules. Operation is subject to the following two conditions: (1) this device may not cause harmful interference, and (2) this device must accept any interference received, including interference that may cause undesired operation.

For questions regarding this product, contact us by mail or telephone:

- Hewlett-Packard Company  
P. O. Box 692000, Mail Stop 530113  
Houston, Texas 77269-2000
- 1-800-HP-INVENT (1-800-474-6836). (For continuous quality improvement, calls may be recorded or monitored.)

For questions regarding this FCC declaration, contact us by mail or telephone:

- Hewlett-Packard Company  
P. O. Box 692000, Mail Stop 510101  
Houston, Texas 77269-2000
- 1-281-514-3333

To identify this product, refer to the part, series, or model number found on the product.



## Modifications

The FCC requires the user to be notified that any changes or modifications made to this device that are not expressly approved by Hewlett-Packard Company may void the user's authority to operate the equipment.

## Cables

Connections to this device must be made with shielded cables with metallic RFI/EMI connector hoods in order to maintain compliance with FCC Rules and Regulations.

## Canadian notice (Avis Canadien)

### **Class A equipment**

This Class A digital apparatus meets all requirements of the Canadian Interference-Causing Equipment Regulations.

Cet appareil numérique de la classe A respecte toutes les exigences du Règlement sur le matériel brouilleur du Canada.

### **Class B equipment**

This Class B digital apparatus meets all requirements of the Canadian Interference-Causing Equipment Regulations.

Cet appareil numérique de la classe B respecte toutes les exigences du Règlement sur le matériel brouilleur du Canada.

## European Union regulatory notice

This product complies with the following EU Directives:

- Low Voltage Directive 73/23/EEC
- EMC Directive 89/336/EEC

Compliance with these directives implies conformity to applicable harmonized European standards (European Norms) which are listed on the EU Declaration of Conformity issued by Hewlett-Packard for this product or product family.

This compliance is indicated by the following conformity marking placed on the product:



This marking is valid for non-Telecom products and EU harmonized Telecom products (e.g. Bluetooth).



This marking is valid for EU non-harmonized Telecom products.

\*Notified body number (used only if applicable—refer to the product label)

# Disposal of waste equipment by users in private households in the European Union



This symbol on the product or on its packaging indicates that this product must not be disposed of with your other household waste. Instead, it is your responsibility to dispose of your waste equipment by handing it over to a designated collection point for the recycling of waste electrical and electronic equipment. The separate collection and recycling of your waste equipment at the time of disposal will help to conserve natural resources and ensure that it is recycled in a manner that protects human health and the environment. For more information about where you can drop off your waste equipment for recycling, please contact your local city office, your household waste disposal service or the shop where you purchased the product.

## Japanese notice

ご使用になっている装置にVCCIマークが付いていましたら、次の説明文をお読み下さい。

この装置は、情報処理装置等電波障害自主規制協議会（VCCI）の基準に基づくクラスB情報技術装置です。この装置は、家庭環境で使用することを目的としていますが、この装置がラジオやテレビジョン受信機に近接して使用されると、受信障害を引き起こすことがあります。取扱説明書に従って正しい取り扱いをして下さい。

VCCIマークが付いていない場合には、次の点にご注意下さい。

この装置は、情報処理装置等電波障害自主規制協議会（VCCI）の基準に基づくクラスA情報技術装置です。この装置を家庭環境で使用すると電波妨害を引き起こすことがあります。この場合には使用者が適切な対策を講ずるよう要求されることがあります。

## BSMI notice

### 警告使用者:

這是甲類的資訊產品，在居住的環境中使用時，可能會造成射頻干擾，在這種情況下，使用者會被要求採取某些適當的對策。

## Korean notice

### Class A equipment

#### A급 기기 (업무용 정보통신기기)

이 기기는 업무용으로 전자파적합등록을 한 기기이오니 판매자 또는 사용자는 이 점을 주의하시기 바라며, 만약 잘못판매 또는 구입하였을 때에는 가정용으로 교환하시기 바랍니다.

### Class B equipment

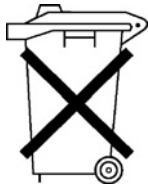
#### B급 기기 (가정용 정보통신기기)

이 기기는 가정용으로 전자파적합등록을 한 기기로서 주거지역에서는 물론 모든지역에서 사용할 수 있습니다.

## Battery replacement notice

**⚠ WARNING: Power products contain sealed lead-acid battery modules. A risk of fire and burns exists if the battery is not properly handled. To reduce the risk of personal injury:**

- **Do not attempt to recharge the battery.**
- **Do not expose the battery to temperatures higher than 60°C (140°F).**
- **Do not disassemble, crush, puncture, short external contacts, or dispose of in fire or water. The battery might explode.**



Batteries, battery packs, and accumulators should not be disposed of together with the general household waste. To forward them to recycling or proper disposal, use the public collection system or return them to HP, an authorized HP Partner, or their agents.

For more information about battery replacement or proper disposal, contact an authorized reseller or an authorized service provider.

## Power cord statement for Japan

製品には、同梱された電源コードをお使い下さい。  
同梱された電源コードは、他の製品では使用出来ません。

---

# Electrostatic discharge

## In this section

Preventing electrostatic discharge.....	44
Grounding methods to prevent electrostatic discharge .....	44

## Preventing electrostatic discharge

To prevent damaging the system, be aware of the precautions you need to follow when setting up the system or handling parts. A discharge of static electricity from a finger or other conductor may damage system boards or other static-sensitive devices. This type of damage may reduce the life expectancy of the device.

To prevent electrostatic damage:

- Avoid hand contact by transporting and storing products in static-safe containers.
- Keep electrostatic-sensitive parts in their containers until they arrive at static-free workstations.
- Place parts on a grounded surface before removing them from their containers.
- Avoid touching pins, leads, or circuitry.
- Always be properly grounded when touching a static-sensitive component or assembly.

## Grounding methods to prevent electrostatic discharge

Several methods are used for grounding. Use one or more of the following methods when handling or installing electrostatic-sensitive parts:

- Use a wrist strap connected by a ground cord to a grounded workstation or computer chassis. Wrist straps are flexible straps with a minimum of 1 megohm  $\pm 10$  percent resistance in the ground cords. To provide proper ground, wear the strap snug against the skin.
- Use heel straps, toe straps, or boot straps at standing workstations. Wear the straps on both feet when standing on conductive floors or dissipating floor mats.
- Use conductive field service tools.
- Use a portable field service kit with a folding static-dissipating work mat.

If you do not have any of the suggested equipment for proper grounding, have an authorized reseller install the part.

For more information on static electricity or assistance with product installation, contact an authorized reseller.

---

# Acronyms and abbreviations

## IEC

International Electrotechnical Commission

## LED

light-emitting diode

## NEC

National Electrical Code

## NEMA

National Electrical Manufacturers Association

## PFC

power factor corrected

## UPS

uninterruptible power system

## USB

universal serial bus

---

# Index

## A

alarm conditions 19  
alarms, silencing 19  
alarms, troubleshooting 28  
authorized reseller 36

## B

backup time, insufficient 29  
batteries, care and storage 22  
batteries, charging 17  
batteries, cleaning spills 26  
batteries, connecting 13  
batteries, replacing 22, 23  
batteries, runtime 33  
batteries, specifications 33  
battery cables, connecting 13  
Battery Charge LED, location 7  
Battery Charge LED, troubleshooting 30  
battery expiration date 13  
battery replacement notice 43  
Battery Warning LED, location 7  
Battery Warning LED, troubleshooting 30  
battery warranty 37  
bezel, front 6  
bezel, removing 13  
BSMI notice 42

## C

cables 41  
cables, battery 13  
Canadian notice 41  
charging batteries 17  
class A equipment 40  
class B equipment 40  
communications port, connecting 15  
component identification 6, 7  
configuring components 14  
connecting devices to UPS 17  
contacting HP 36

## D

devices, connecting 17  
diagnostics 19  
dimensions, UPS 31  
DIP switches, location 8, 9, 10, 11  
DIP switches, setting 14  
disposal, battery 43

## E

electrical requirements 12  
electrostatic discharge 44  
environmental specifications 33  
European Union notice 41

## F

FCC rating label 39  
Federal Communications Commission (FCC)  
notice 39, 40, 41  
firmware, updating 22  
frequent switching between battery and utility  
power 29  
front bezel 6  
front panel buttons 7  
front panel components 6, 7  
front panel LEDs 7

## G

grounding methods 44

## H

hardware options 35  
HP Power Manager 21  
HP Technical Support 36

## I

input specifications 31  
installation instructions 12  
insufficient backup time 29  
International model 10, 11

## J

Japanese notice 42

## K

Korean notices 43

## L

LED, power button 7

LEDs 6, 7

limited warranty 37

load protection guarantee 37

low-voltage UPS 8, 9

## M

maintenance 22

models, high-voltage UPS 10, 11

models, low-voltage UPS 8, 9

modifications, FCC notice 41

Mute/Test button 7

## N

nominal voltage, configuring 14

North America and Japan model 8, 9

## O

On button, location 7

operations, UPS 19

ordering spares 35

output feature specifications 33

Output Load Level LED, location 7

Output Load Level LED, troubleshooting 30

output specifications 32

output tolerance specifications 33

overview, front panel display 7

overview, HP Power Manager 21

## P

phone numbers 36

physical specifications 31

Power LED, location 7

Power LED, troubleshooting 29

power management 21

Power On/Standby button 7

power protection specifications 32

powering down 19

powering up 18

problem diagnosis 28

## R

regulatory compliance identification numbers 39

regulatory compliance notices 39, 41, 42

replacing the batteries 22, 23

required information 36

runtime specifications 33

## S

safety considerations 22

serial port 15

series number 39

Site Wiring Fault LED, location 8, 9, 10, 11

Site Wiring Fault LED, troubleshooting 30

software 21

spare part numbers 35

spares 35

specifications 31

Standby button, location 7

Standby mode 7

static electricity 44

storing batteries 22

supported hardware 35

supported software 21

## T

T1000 INTL 10

T1000 NA/JPN/TWN 8

T1500 INTL 11

T1500 NA/JPN/TWN 9

technical support 36

telephone numbers 36

temperature ranges (environmental) 33

testing LEDs 19

troubleshooting 28

## U

Uninterruptible Power System, high-voltage  
models 10, 11

Uninterruptible Power System, low-voltage models 8,  
9

updating the firmware 22

UPS does not start 28

UPS firmware, updating 22

UPS operations 19

UPS, installing 12

USB connectors 16

utility power, connecting 17

## **V**

Voltage Correction LED, location 7  
Voltage Correction LED, troubleshooting 29  
voltage specifications 32  
voltage, configuring 14

## **W**

warranties 37  
weight, UPS 31